

PB-2EXD-PTZ 23X

2MP Explosion-Proof Dark fighter Network Speed Dome



DarkFighter ✦



II 2 G Ex db IIC T6 Gb

II 2 D Ex tb IIIC T80°C Db



The PB-2EXD-PTZ 23X 2MP Explosion-Proof Network Speed Dome captures high quality colored images in dim light environment with its low illumination, down to 0.002 Lux (color). Embedded with 1/1.9" progressive scan CMOS chip, it makes 120db WDR and 2 MP real-time resolution possible. With the 23× optical zoom and day/night IR cut filter, the speed dome offers more details over expansive areas. The explosion-proof speed dome is equipped with explosion-proof enclosure made of stainless steel. It can be widely used in places such as: port, wharf, petrochemical industry, military industry.

Key Features

- 2MP 1/1.9" progressive scan CMOS
- Up to 1920 × 1080 resolution
- 23× optical zoom, focal length 5.9 mm to 135.7 mm
- Min. illumination:
Color: 0.002 Lux @(F1.5, AGC ON)
B/W: 0.0002 Lux @(F1.5, AGC ON)
- IR cut filter with auto switch
- 3D DNR, low bitrate, 120 dB WDR
- Explosion-Proof Certificate No.:
TÜV 16 ATEX 7950X, IECEx TUR 16.0050X
- IP68 standard
- Three streams

2MP Explosion-Proof Dark fighter Network Speed Dome

Camera	PB-2EXD-PTZ 23X 2MP Explosion-Proof Network Speed Dome
Image Sensor	1/1.9" progressive scan CMOS
Main Stream Resolution	50Hz: 25fps (1920 × 1080, 1280 × 960, 1280 × 720) 50fps (1920 × 1080, 1280 × 960, 1280 × 720) 60Hz: 30fps (1920 × 1080, 1280 × 960, 1280 × 720) 60fps (1920 × 1080, 1280 × 960, 1280 × 720)
Sub-Stream Resolution	50Hz: 25fps (704 × 576, 640 × 480, 352 × 288) 60Hz: 30fps (704 × 480, 640 × 480, 352 × 240)
Third Stream Resolution	50Hz: 25fps (1920 × 1080, 1280 × 960, 1280 × 720, 704 × 576, 640 × 480, 352 × 288) 60Hz: 30fps (1920 × 1080, 1280 × 960, 1280 × 720, 704 × 480, 640 × 480, 352 × 240)
Min. Illumination	Color: 0.002 Lux @(F1.5, AGC ON) B/W: 0.0002 Lux @(F1.5, AGC ON)
S/N Ratio	> 52 dB (AGC OFF)
White Balance	Auto/MWB/Auto-tracking/Indoor/Outdoor/Fluorescent Lamp/Sodium Lamp
AGC	Auto/Manual
Defog	Support
Focus Mode	Auto/Semiautomatic/Manual
Exposure Mode	Auto/Iris Priority/Shutter Priority/Manual
3D DNR	Support
BLC	Support
HLC	Support
WDR	120 dB
Regional Exposure	Support
Regional Focus	Support
Shutter Time	1/1 s to 1/30,000 s
Day & Night	IR cut filter
Digital Zoom	16×
Privacy Mask	8 programmable privacy masks
Lens	
Focal Length	5.9 mm to 135.7 mm, 23× optical zoom
Field of View	59.8° to 3.0° (Wide-Tele)
Working Distance	10 mm to 1500 mm (Wide-Tele)
Zoom Speed	Approx. 4.8 s (Optical Lens, Wide-Tele)
Aperture Range	F1.5 to F3.4
Pan and Tilt	
Movement Range (Pan)	360° endless
Pan Speed	Configurable, from 0.1°/s to 300°/s Preset Speed: 540°/s
Movement Range (Tilt)	From 0° to 90° (Auto Flip)
Tilt Speed	Configurable, from 0.1°/s to 240°/s Preset Speed: 400°/s
Proportional Zoom	Support
Presets	300
Patrol Scan	8 patrols, up to 32 presets for each patrol
Pattern Scan	4 pattern scans, record time over 10 minutes for each scan
Power-off Memory:	Support
Park Action	Preset/Pattern Scan/Patrol Scan/Auto Scan/Tilt Scan/Random Scan/Frame Scan/Panorama Scan

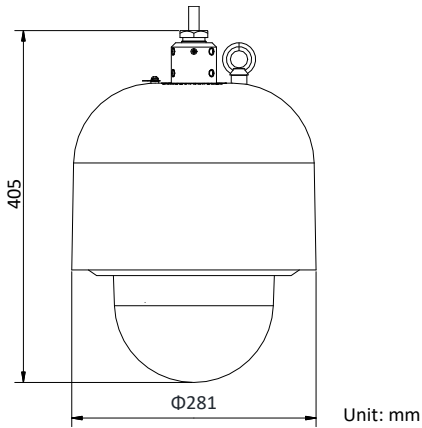
2MP Explosion-Proof Dark fighter Network Speed Dome

PTZ Status Display	Support
Preset Freezing	Support
Scheduled Task	Preset/Pattern Scan/Patrol Scan/Auto Scan/Tilt Scan/Random Scan/Frame Scan/Panorama Scan/Dome Reboot/Dome Adjust/Aux Output
Smart	
Smart Detection	Intrusion Detection/Line Crossing Detection/Audio Exception Detection/Face Detection/Region Entrance Detection/Region Exiting Detection
Smart Tracking	Manual Tracking/Auto Tracking/Panorama Tracking/Event Tracking
Smart Recording	ANR (Automatic Network Replenishment), Dual-VCA
Network	
Video Compression	H.264/MJPEG/H.264+, H.264 encoding with Basic/Main/High profile
ROI	Support
SVC	Support
Audio Compression	G.711alaw/G.711ulaw/G.722.1/G.726/MP2L2/PCM
Protocols	IPv4/IPv6, HTTP, HTTPS, 802.1X, QoS, FTP, SMTP, UPnP, SNMP, DNS, DDNS, NTP, RTSP, RTP, TCP, UDP, IGMP, ICMP, DHCP, PPPoE, Bonjour
Application Programming	Open-ended API, support ONVIF, PSIA, CGI and Genetec, support HIKVISION SDK and Third-Party Management Platform
Simultaneous Live View	Up to 20 channels
User/Host	Up to 32 users 3 levels: Administrator, Operator and User
Security Measures	User Authentication (User ID and Password), Host Authentication (MAC Address), HTTPS Encryption, IEEE 802.1x Port-Based Network Access Control, IP Address Filtering
General	
Alarm Input	7-ch alarm input
Alarm Output	2-ch alarm output
Audio Input	1-ch audio input
Audio Output	1-ch audio output
Ethernet	1× RJ45 100 M self-adaptive Ethernet interface
Storage	Built-in memory card slot, support Micro SD/SDHC/SDXC, up to 128 GB
Client	iVMS-4200
Web Browser	IE7+, Chrome18+, Firefox5.0+, Safari5.02+
Explosion-Proof Certificate No.	TÜV 16 ATEX 7950X: Ex db IIC T6 Gb/Ex tb IIIC T80°C Db IECEX TUR 16.0050X: ⓂII 2 G Ex db IIC T6 Gb/ⓂII 2 D Ex tb IIIC T80°C Db
Weatherproof Grade	IP68 standard
Enclosure Material	Stainless Steel 304
Power	100 VAC to 240 VAC, Max.: 60 W
Working Environment	Working Temperature: -40° C to 60° C (-40° F to 140° F) Working Humidity: ≤ 95%
Dimensions	Φ 281 mm × 405 mm (11.06" × 15.94")
Weight	Approx. 22 kg (48.5 lb)

PB-2EXD-PTZ 23X

2MP Explosion-Proof Dark fighter Network Speed Dome

Dimensions

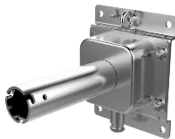


Accessory



DS-1690ZJ-X

Wall mounting bracket (included)



1691ZJ-X

Pendant mounting bracket



1677ZJ-XS-1.0 (C2)

Flexible conduit



2780ZJ-X

Explosion-proof terminal box