

2 MP Explosion-Proof Network Bullet Camera/AUDIO



II 2 G Ex db IIC T6 Gb

II 2D Ex tb IIIC T80°C Db IP68



Key Features

- Up to 2 megapixel high resolution
- 120dB Wide Dynamic Range
- Lens, 2.8 to 12mm and 8 to 32 mm optional
- H.265, H.265+, H.264, H.264+
- Three video streams
- 6 behavior analyses, 3 exception detections, 1 statistics and face detection
- Support on-board storage, up to 128 GB
- IR range 80 m for 2.8 to 12 mm lens, and 150 m for 8 to 32 mm lens
- Wiper optional
- Power supply: 85 VAC to 245 VAC and PoE

2 MP Explosion-Proof Network Bullet Camera/AUDIO

Camera	
Image Sensor	1/1.8" Progressive Scan CMOS
Min. Illumination	0.001Lux @(F1.2,AGC ON), 0 Lux with IR on
Shutter Speed	1 s to 1/100,000 s, support slow shutter
Lens	2.8 mm to 12 mm, F1.4, horizontal FOV: 85° to 31°, vertical FOV: 45° to 17.5°, diagonal FOV: 101° to 17.5° 8 mm to 32 mm, F1.4, horizontal field of view: 42.2° to 13.5°, vertical FOV: 23.4° to 7.7°, diagonal FOV: 49° to 15.3°
Focus	Auto
Auto-Iris	DC drive
Day & Night	IR cut filter
DNR	3D DNR
Wide Dynamic Range	120dB
Compression Standard	
Video Compression	Main stream: H.265/H.264 Sub stream: H.265/H.264/MJPEG Third stream: H.265/H.264
H.264 Type	Baseline profile/main profile/high profile
H.264+	Yes
H.265 Type	Main profile
H.265+	Yes
Video Bit Rate	32 Kbps to 16 Mbps
Audio Compression	G.711/G.722.1/G.726/MP2L2/PCM
Audio Bit Rate	64Kbps(G.711)/16Kbps(G.722.1)/16Kbps(G.726)/32-192Kbps(MP2L2)
Image	
Max. Resolution	1920 × 1080
Main Stream Max. Frame Rate	50Hz: 50fps (1920 × 1080, 1280 × 960, 1280 × 720) 60Hz: 60fps (1920 × 1080, 1280 × 960, 1280 × 720)
Sub Stream Max. Frame Rate	50Hz: 25fps (704 × 576, 640 × 480, 352 × 288, 320 × 240) 60Hz: 30fps (704 × 480, 640 × 480, 352 × 240, 320 × 240)
Third Steam Max. Frame Rate	50Hz: 25fps (1920 × 1080, 1280 × 960, 1280 × 720, 704 × 576, 640 × 480, 352 × 288, 320 × 240) 60Hz: 30fps (1920 × 1080, 1280 × 960, 1280 × 720, 704 × 480, 640 × 480, 352 × 240, 320 × 240)
Image Enhancement	BLC/3D DNR/HLC/Defog/EIS
Image Settings	Support rotate mode. Saturation, brightness, contrast, sharpness, white balance, and AGC are adjustable by client software or web browser
Region of Interest	Support 4 customized region for each stream, and face dynamic tracking
Target Cropping	Yes
Day/Night Switch	Auto/Schedule/Triggered by Alarm In
Picture Overlay	LOGO picture can be overlaid on video with 128 × 128 24bit bmp format
Audio	
Environment Noise Filter	Support
Sampling Rate	Max. 48 kHz
Network	
Network Storage	Support microSD/SDHC/SDXC card (up to 128 GB) local storage and NAS (NFS,SMB/CIFS), ANR

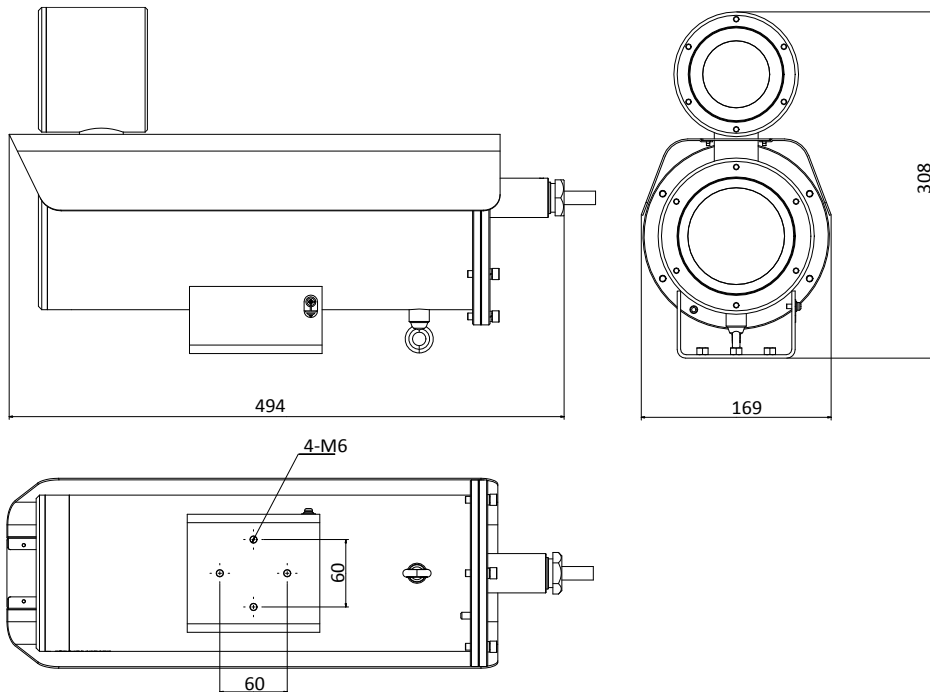
2 MP Explosion-Proof Network Bullet Camera/AUDIO

Alarm Trigger	Motion detection, tampering alarm, HDD full, HDD error, network disconnected, IP address conflicted, illegal login
Protocols	TCP/IP, ICMP, HTTP, HTTPS, FTP, DHCP, DNS, DDNS, RTP, RTSP, RTCP, PPPoE, NTP, UPnP, SMTP, SNMP, IGMP, 802.1X, QoS, IPv6, UDP, Bonjour
Standard	ONVIF (PROFILE S, PROFILE G), ISAPI
General Function	One-key reset, mirror, anti-flicker, heartbeat, watermark, password protection, privacy mask, IP address filter
Interface	
Communication Interface	1 RJ45 10 M/100 M/1000 M self-adaptive Ethernet port, Camera with no wiper also supports RS-485
Audio	3.5 mm audio input (line in), 3.5 mm audio output (line out), stereo
Alarm	2 alarm input, 2 alarm output (up to 24 VDC, 1 A or 110 VAC, 500 mA)
Video Out	1Vp-p Composite Output(75Ω/BNC)
On-board Storage	Built-in microSD/SDHC/SDXC slot, up to 128GB
Reset Button	Yes
Smart Feature-set	
Behavior Analysis	Line crossing detection, intrusion detection, region entrance detection, region exiting detection, unattended baggage detection, object removal detection
Line Crossing Detection	Cross a pre-defined virtual line
Intrusion Detection	Enter and loiter in a pre-defined virtual region
Region Entrance Detection	Enter a pre-defined virtual region from the outside place
Region Exiting Detection	Exit from a pre-defined virtual region
Unattended Baggage	Objects left over in the pre-defined region such as the baggage, purse, dangerous materials
Object Removal	Objects removed from the pre-defined region, such as the exhibits on display.
Exception Detections	Scene change detection, defocus detection, audio exception detection
Face Detection	Human face appears in the image can be detected and trigger linkage method
Statistics	Counting which calculates the number of targets entering and exiting a configured area
General	
Operating Conditions	-40°C to +60°C (-40°F to +140°F), Humidity 95% or less (non-condensing)
Power Supply	85 VAC to 245 VAC, three-core terminal block PoE (802.3at, class 4)
Power Consumption	-IZHRS: 85 VAC to 245 VAC, 0.38 A to 0.18 A, max. 22.6W; PoE (802.3at, 42.5 V to 57 V), 0.56 A to 0.42 A, max. 23.6W -IZHS: 85 VAC to 245 VAC, 0.32 A to 0.11 A, max. 18.6 W; PoE (802.3at, 42.5 V to 57 V), 0.46 A to 0.34 A max. 19.6 W
IR Range	2.8 mm to 12 mm lens: up to 80 m (262.5 ft.) 8 mm to 32 mm lens: up to 150 m (492.1 ft.)
Wiper	With -R model supports
Housing Material	316L Stainless steel
Ingress Protection	IP68
Explosion-Proof	ATEX, IECEx
Anti-Corrosion	NEMA 4X
Dimensions	494 × 169 × 308 mm (19.45"× 6.65" × 12.13") Package: 753 × 313 × 424 mm (29.65" × 12.32" × 16.69")
Weight	-IZHRS: camera, 17.8 kg (39.24 lb.); with package, 19.8 kg (43.65lb.) -IZHS: camera, 16.8 kg (37.04 lb.); with package, 18.8 kg (41.45 lb.)

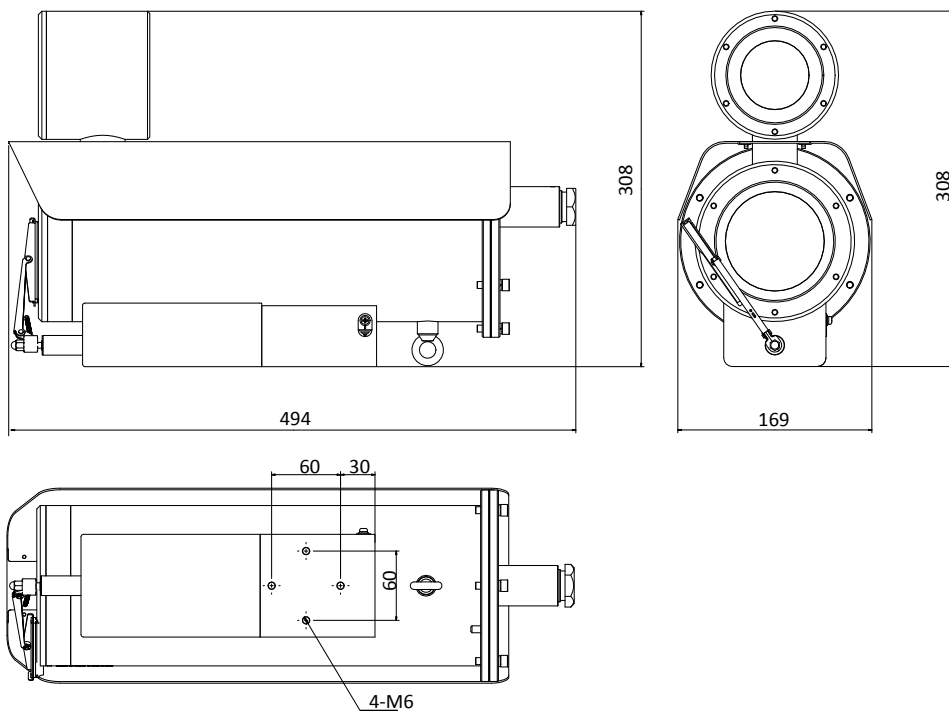
2 MP Explosion-Proof Network Bullet Camera/AUDIO

Dimension

-IZHS:



-IZHRS:



Unit: mm

Accessories



1707ZJ-Y
Wall mount