

## PB-2AC-IRD 2.8MM

### 2 MP Anti-Corrosion Network Dome Camera



### Key Features

- Up to 2 megapixel high resolution
- 120dB Wide Dynamic Range
- Three video streams
- H.265, H.265+, H.264, H.264+
- 6 behavior analyses, 2 exception detections, 1 recognition
- Support on-board storage, up to 128GB
- IR range: 10 m
- DC 12V/PoE
- Anti-Corrosion Standard: WF-2, NEMA 4X, C5-M
- IP67

## 2 MP Anti-Corrosion Network Dome Camera

<b>Camera</b>	
Image Sensor	1/2.7" Progressive Scan CMOS
Min. Illumination	0.01Lux @(F1.2,AGC ON) ,0 Lux with IR on 0.028 Lux @(F2.0,AGC ON), 0 Lux with IR on
Shutter Speed	1 s to 1/100,000 s, support slow shutter
Lens	<b>2.8mm, horizontal field of view: 100°, vertical field of view: 53°</b> 4mm, horizontal field of view: 91°, vertical field of view:49° 6mm horizontal field of view: 60°, vertical field of view: 32.5°
Lens Mount	M12
Day &Night	IR cut filter
DNR	3D DNR
Wide Dynamic Range	120dB
Angle Adjustment	Tilt: 0° to 75°; Pan: -30° to 30°; Rotate: 0° to 360°
<b>Compression Standard</b>	
Video Compression	Main stream: H.265/H.264 Sub stream: H.265/H.264/MJPEG Third stream: H.265/H.264/MJPEG
H.264 Type	baseline profile/Main Profile/High profile
H.264+	Support
H.265 Type	Main profile
H.265+	Support
Video Bit Rate	32 Kbps to 16 Mbps
Audio Compression	G.711/G.722.1/G.726/MP2L2/PCM
Audio Bit Rate	64Kbps(G.711)/16Kbps(G.722.1)/16Kbps(G.726)/32-128Kbps(MP2L2)
<b>Image</b>	
Max. Resolution	1920 × 1080
Main Stream Max. Frame Rate	2.8mm lens camera: 50Hz: 25fps (1920 × 1080,1280 × 960,1280 × 720) 60Hz: 24fps (1920 × 1080,1280 × 960,1280 × 720) 4mm and 6mm lens camera: 50Hz: 25fps (1920 × 1080,1280 × 960,1280 × 720) 60Hz: 30fps (1920 × 1080,1280 × 960,1280 × 720)
Sub Stream Max. Frame Rate	2.8mm lens camera: 50Hz: 25fps (704 × 576, 640 × 480, 352 × 288, 320 × 240) 60Hz: 24fps (704 × 480, 640 × 480, 352 × 240, 320 × 240) 4mm and 6mm lens camera: 50Hz: 25fps (704 × 576, 640 × 480, 352 × 288, 320 × 240) 60Hz: 30fps (704 × 480, 640 × 480, 352 × 240, 320 × 240)
Third Steam Max. Frame Rate	2.8mm lens camera: 50Hz: 25fps (1920 × 1080, 1280 × 960, 1280 × 720, 704 × 576, 640 × 480, 352 × 288, 320 × 240) 60Hz: 24fps (1920 × 1080, 1280 × 960, 1280 × 720, 704 × 480, 640 × 480, 352 × 240, 320 × 240) 4mm and 6mm lens camera: 50Hz: 25fps (1920 × 1080, 1280 × 960, 1280 × 720, 704 × 576, 640 × 480, 352 × 288, 320 × 240) 60Hz: 30fps (1920 × 1080, 1280 × 960, 1280 × 720, 704 × 480, 640 × 480, 352 × 240, 320 × 240)
Image Enhancement	BLC/3D DNR/Defog

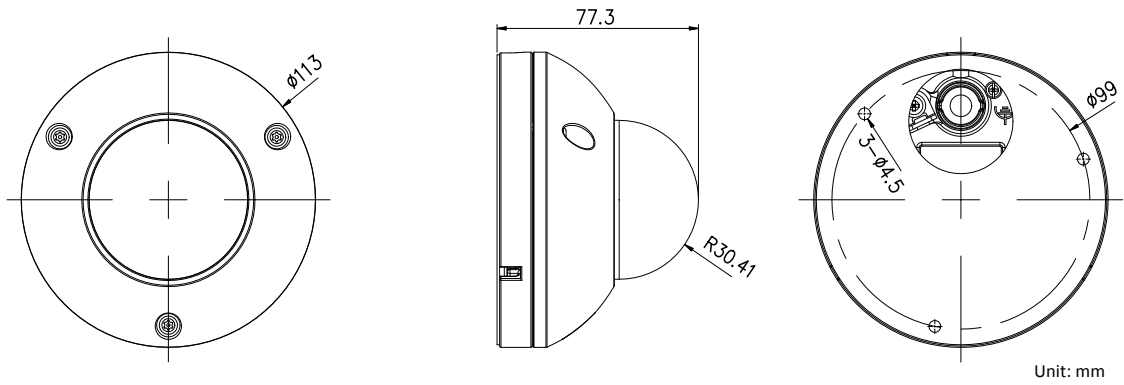
## 2 MP Anti-Corrosion Network Dome Camera

Image Settings	Rotate mode, saturation, brightness, contrast, etc., adjustable by client software or web browser
Region of Interest	Support 4 customized region for each stream, and face dynamic tracking
Target Cropping	Support
Day/Night Switch	Auto/Schedule/Triggered by Alarm In
Picture Overlay	LOGO picture can be overlaid on video with 128 × 128 24bit bmp format
<b>Network</b>	
Network Storage	Support Micro SD/SDHC/SDXC card (up to 128 GB) local storage and NAS (NFS,SMB/CIFS), ANR
Alarm Trigger	Motion detection, tampering alarm, HDD full, HDD error, network disconnected, IP address conflicted, illegal login
Protocols	TCP/IP, ICMP, HTTP, HTTPS, FTP, DHCP, DNS, DDNS, RTP, RTSP, RTCP
Standard	ONVIF (PROFILE S, PROFILE G), PSIA, CGI, ISAPI
General Function	Mirror, anti-flicker, heartbeat, watermark, password protection, privacy mask
<b>Interface</b>	
Communication Interface	1 RJ45 10M/100M self-adaptive Ethernet port
Alarm	1 alarm input, 1 alarm output
On-board Storage	Built-in Micro SD/SDHC/SDXC slot, up to 128GB
<b>Smart Feature-set</b>	
Behavior Analysis	Line crossing detection, intrusion detection, region entrance detection, region exiting detection, unattended baggage detection, object removal detection
Line Crossing Detection	Cross a pre-defined virtual line
Intrusion Detection	Enter and loiter in a pre-defined virtual region
Region Entrance Detection	Enter a pre-defined virtual region from the outside place
Region Exiting Detection	Exit from a pre-defined virtual region
Unattended Baggage	Objects left over in the pre-defined region such as the baggage, purse, dangerous materials
Object Removal	Objects removed from the pre-defined region, such as the exhibits on display.
Exception Detections	Scene change detection, defocus detection
Recognition	Face Detection
<b>General</b>	
Operating Conditions	-30°C to +60 °C (-22 °F to +140 °F), Humidity less than 95% (non-condensing)
Power Supply	DC 12V, 330mA, terminal block PoE (802.3af, class 3), 0.1A
Power Consumption	Max. 5W
IR Range	10 m
Housing Material	SUS 316L
Anti-Corrosion Standard	WF-2, NEMA 4X, C5-M
Ingress Protection	IP67
Dimensions	Camera: Φ 113 × 77.3 mm (4.45" × 3.04") Package: 257 × 167 × 145 mm (10.12" × 6.57" × 5.71")
Weight	Camera: 1680 g (3.7 lb.)

# PB-2AC -IRD 2.8MM

## 2 MP Anti-Corrosion Network Dome Camera

### Dimension



### Accessories



1705ZJ-DM35  
Wall mount



1284ZJ-M  
Junction box